

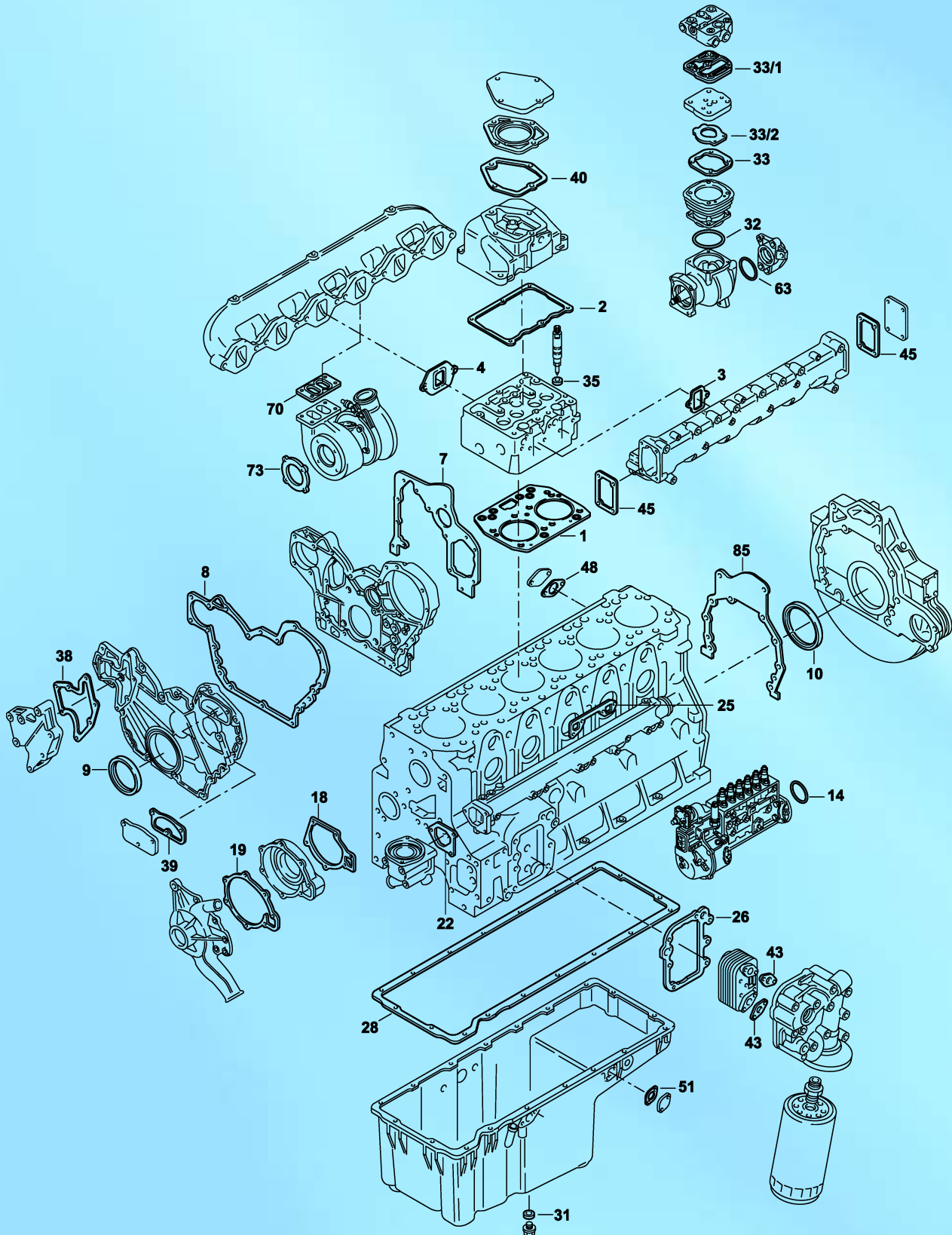
MOT. D 0826 LF | GF
MOT. D 0836 LF | LOH

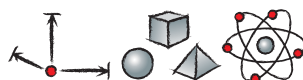
D 0826 | 0836

MAN –

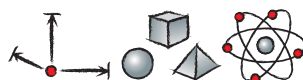


Das Original





S *	921.742	1x	51.00900-6566	-	D 0826 LF Alu-Gußölvanne aluminum oil pan carter d'huile en alu cárter de aceite de aluminio coppa olio in fusione di alluminio Литой алюминиевый масляный поддон
S *	921.760	1x	51.00900-6532	-	D 0826 LF Blechölvanne stamped oil pan carter d'huile en tôle cárter de aceite de chapa coppa olio in lamiera Масляный поддон штампованный
S *	750.027	1x	51.00900-6531	-	D 0826 GF
S *	804.422	1x	51.00900-6627	-	D 0836 LF LOH
ES	835.641	3x	51.00900-6550	-	D 0826
ES	636.320	3x	51.00900-6628	-	D 0836
ZKHS	181.500	1x	-	-	D 0836 LF 41-44 LFG 50 LFL 40-55 LOH 40-63 LUH 40-50
ZKS	820.245	3x	-	8x S14x140	-
ZKS	182.430	3x	-	8x M14x152	D 0836 LF 41-44 LFG 50 LFL 40-55 LOH 40-63 LUH 40-50
1	845.710	3x	51.03901-0379	-	-
2	636.311	3x	51.03905-0155	Metaloseal	D 0836
2	835.634	3x	51.03905-0148	EWP	D 0826
2	125.190	1x	51.03905-0167	Elastomer Rubber Caoutchouc Гомма Elastomero Эластомер	D 0836 LF 41-44 LFG 50 LFL 40-55 LOH 40-63 LUH 40-50
3	639.010	6x	51.08902-0179	-	-
3	373.240	6x	51.08902-0212	-	D 0836 LF 41-44 LFG 50 LFL 40-55 LOH 40-63 LUH 40-50
4	277.762	6x	51.08901-0027	-	-
4	165.690	4x	51.08901-0200	-	D 0836 LF 41-44 LFG 50 LFL 40-55 LOH 40-63 LUH 40-50
5	295.710	6x	51.04902-0029	-	-
7	895.289	1x	51.01903-0305	-	-
8	758.604	1x	51.01903-0246	-	-
8	895.296	1x	51.01903-0262	-	-
9	749.983	1x	51.01510-0237	66x90x12 BS LA RD FPM	-
10	323.772	1x	51.01510-0151	110x130x13 BS SP LD FPM	-
14	518.158	1x	51.96501-0415	78x84x3 FPM RD	-
18	a.A.	1x	51.06901-0118	-	-
19	895.378	1x	51.06901-0119	-	-
22	a.A.	1x	51.06904-0023	-	-
25	811.930	3x	51.06903-0030	-	-
26	811.904	1x	51.05901-0102	-	-
28/1	845.400	1x	51.05904-0195	Elastomer Rubber Caoutchouc Гомма Elastomero Эластомер	Blechölvanne stamped oil pan carter d'huile en tôle cárter de aceite de chapa coppa olio in lamiera Масл. поддон штампованный
28/2	895.319	1x	51.05904-0139	EWP	Alu-Gussölvanne aluminum oil pan carter d'huile en alu cárter de aceite de aluminio coppa olio in fusione di alluminio Литой алюминиевый масляный поддон
31	804.360	1x	06.56631-0109	ME 18,7x26x1,5 St/FPM	Blechölvanne stamped oil pan carter d'huile en tôle cárter de aceite de chapa coppa olio in lamiera Масл. поддон штампованный
31	122.904	1x	06.56190-0713	18x24x1,5 Cu A	Alu-Gussölvanne aluminum oil pan carter d'huile en alu cárter de aceite de aluminio coppa olio in fusione di alluminio Литой алюминиевый масляный поддон



32	597.791	1x	81.96503-0018	94x100x3 ACM RD	-
33	-	1x	81.54901-0084	-	1-Cyl. Luftpresser 300 cm ³ 1 cyl. compressor 300 cm ³ compresseur monocyl. 300 cm ³ compresor monocil. 300 cm ³ compressore monocil. 300 cm ³ 1-цилиндр. нагнетатель 300 cm ³
33/1	-	1x	81.54901-0102	-	1-Cyl. Luftpresser 300 cm ³ 1 cyl. compressor 300 cm ³ compresseur monocyl. 300 cm ³ compresor monocil. 300 cm ³ compressore monocil. 300 cm ³ 1-цилиндр. нагнетатель 300 cm ³
33/2	061.440	1x	81.54116-0002	-	-
35	296.660	6x	51.98701-0090	7,3 x 15 x 1 Cu A	-
38	811.883	1x	51.01903-0295	-	-
39	a.A.	1x	51.01903-0294	-	-
40	a.A.	2x	51.03905-0130	-	-
43	896.489	2x	51.96601-0546	-	-
45	414.030	1x	51.08902-0139	-	-
48	a.A.	1x	51.96601-0474	-	-
51	922.138	1x	06.56259-0033	-	-
63	-	1x	06.56342-4242	88x94x3 NBR RD	-
70	299.911	1x	51.09901-0051	-	-
73	891.207	1x	51.09901-0036	-	-
85	-	1x	51.01903-0273	-	-
85/1	a.A.	1x	51.01903-0243	-	-